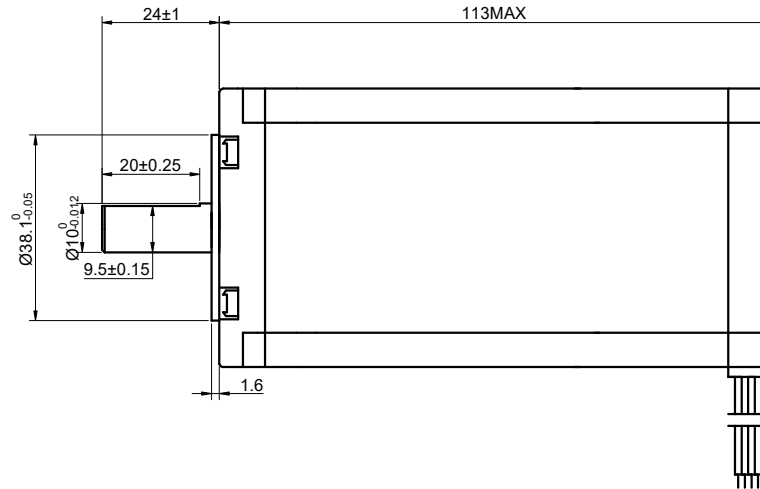
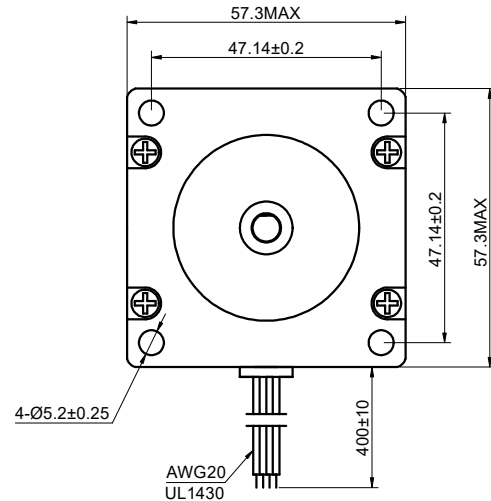


CUSTOMER'S MODEL: NO MODEL  
END COVER COLOR: GRAY

REV.	REVISION RECORD	BY	DATE
0	ORIGIN	YSX	7.31.2025



MOTOR CONNECTION			
PIN NO	BIPOLAR	LEADS	WINDING
1	A+	BLK	
2	A-	GRN	
3	B+	RED	
4	B-	BLU	

CONNECTION	BIPOLAR
SPECIFICATION	
AMPS/PHASE	4.20
RESISTANCE/PHASE(Ohms)@25°C	0.88±10%
INDUCTANCE/PHASE(mH)@1KHz	3.40±20%
HOLDING TORQUE(Nm)[lb-in]	3.00[26.55]
STEP ANGLE(°)	1.80
STEP ACCURACY(NON-ACCUM)	±5.00%
ROTOR INERTIA(g-cm²)	340
WEIGHT(Kg)[lb]	—
AMBIENT TEMPERATURE	-10°C~50°C[14°F~122°F]
INSULATION CLASS	B 130°C[266°F]
TEMPERATURE RISE	MAX.80°C

COMMENT:  
1.TMBF 6000h OR MORE @ 24V/300RPM  
2.INSULATION RESISTANCE (NORMAL TEMPERATURE AND HUMIDITY): 100 Mohm  
3.DIELECTRIC STRENGTH 500VAC FOR 1MIN.(BETWEEN THE MOTOR COILS AND THE MOTOR CASE )

FULL STEP 2 PHASE-Ex.,WHEN FACING MOUNTING END (X)						DIMENSIONS ARE IN MILLIMETERS.		
STEP	A+	B+	A-	B-		CCW	TOLERANCES AS BELOW:	
1	+	+	-	-			DECIMALS	
2	-	+	+	-			ANGLES	
3	-	-	+	+			X ±0.5	±2°
4	+	-	-	+			X.X ±0.25	
							X.XX ±0.13	

THIS DOCUMENT SHALL NOT BE REPRODUCED NOR SHALL THE INFORMATION CONTAINED HEREIN BE USED BY OR DISCLOSED TO OTHERS UNLESS EXPRESSLY AUTHORIZED IN BY WRITING STEPPERONLINE.		SIGNATURE	DATE
DRN	YSX	7.31.2025	
APVD	LJ	7.31.2025	

**STEPPERONLINE®**

**STEPPER MOTOR**

**23HS45-4204S**

REV.	0	SCALE	2:3	DWG NO.	A1304
------	---	-------	-----	---------	-------