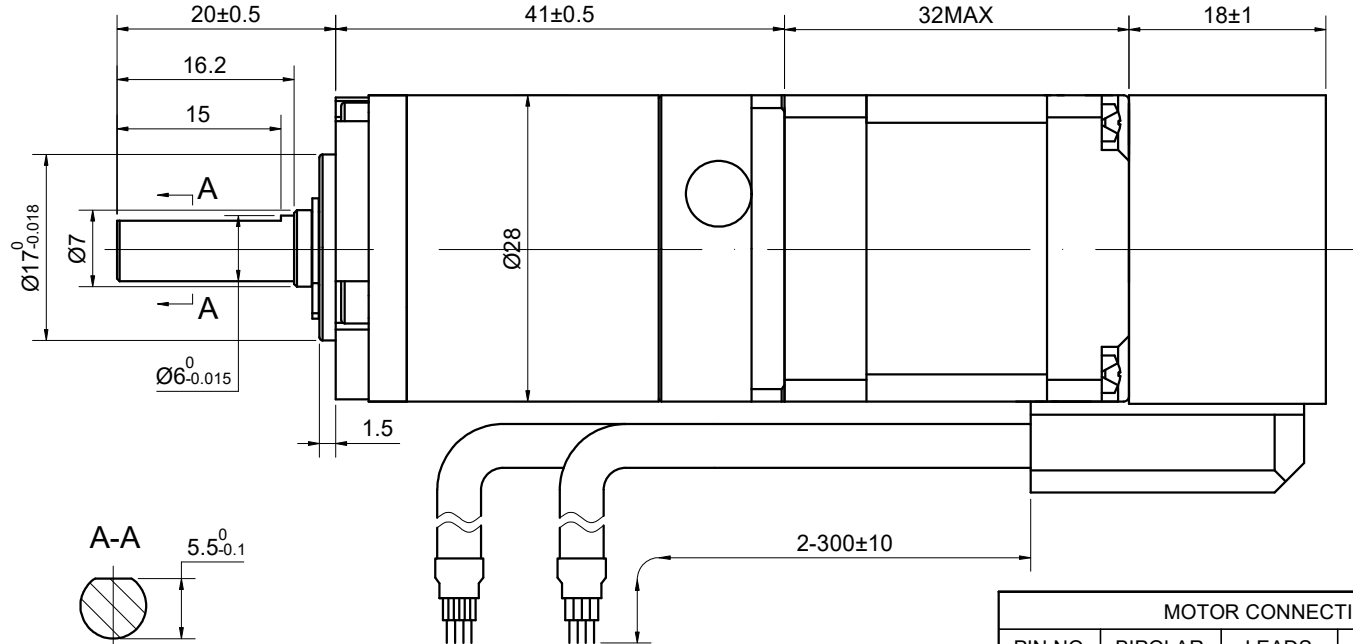
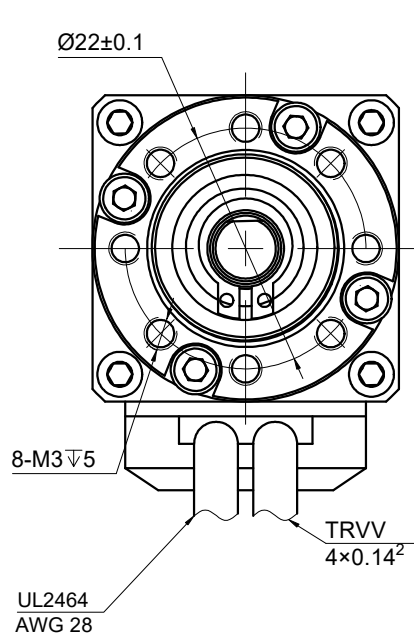


REV.	REVISION RECORD	BY	DATE
0	ORIGIN	ZPJ	3.23.2026

CUSTOMER'S MODEL: NO MODEL
END COVER COLOR: BLACK



SPECIFICATION	CONNECTION	BIPOLAR
AMPS/PHASE		1.00
RESISTANCE/PHASE(Ohms)@25°C		2.00±10%
INDUCTANCE/PHASE(mH)@1KHz		1.50±20%
HOLDING TORQUE w/o GEARBOX(Nm)[lb-in]		0.06[0.53]
STEP ANGLE w/o GEARBOX(°)		1.80
GEAR RATIO		50
GEAR EFFICIENCY		94%
BACKLASH@NO-LOAD		<=20 arcmin
MAX.PERMISSIBLE TORQUE(Nm)		3.00
MOMENT PERMISSIBLE TORQUE(Nm)		6.00
AMBIENT TEMPERATURE		-10°C~50°C[14°F~122°F]
INSULATION CLASS		B 130°C[266°F]
TEMPERATURE RISE		MAX.80°C

COMMENT:
1.DYNAMIC AXIAL LOAD: 100N MAX
2.DYNAMIC RADIAL LOAD: 300N MAX
3.TMBF 6000h OR MORE @ 24V/300RPM
4.INSULATION RESISTANCE (NORMAL TEMPERATURE AND HUMIDITY): 100 Mohm
5.DIELECTRIC STRENGTH 500VAC FOR 1MIN.(BETWEEN THE MOTOR COILS AND THE MOTOR CASE)

STEPPER MOTOR
11HS12-1004D-E1000-EGS50
S/N: XXXXXXXXXXXXX



MOTOR CONNECTION			
PIN NO	BIPOLAR	LEADS	WINDING
1	A+	BLK	
2	A-	GRN	
3	B+	RED	
4	B-	BLU	

ENCODER RESOLUTION:1000PPR(4000CPR)								
LEAD COLOR	RED	BLK	WHT	YEL	ORG	GRA	GRN	BLU
DESCRIPTION	VCC	GND	EA+	EA-	EB+	EB-	EZ+	EZ-

FULL STEP 2 PHASE-Ex.,WHEN FACING MOUNTING END (X)					CCW	CW	DIMENSIONS ARE IN MILLIMETERS. TOLERANCES AS BELOW: DECIMALS ANGLES X ±0.5 ±2° X.X ±0.25 X.XX ±0.13
STEP	A+	B+	A-	B-			
1	+	+	-	-			
2	-	+	+	-			
3	-	-	+	+			
4	+	-	-	+			

STEPPERONLINE®

GEARED STEPPER MOTOR

11HS12-1004D-E1000-EGS50

SIGNATURE	DATE
DRN ZPJ	3.23.2026
APVD LDJ	3.23.2026

REV.	0	SCALE	1:1	DWG NO.	A6040
------	---	-------	-----	---------	-------

THIS DOCUMENT SHALL NOT BE REPRODUCED NOR SHALL THE INFORMATION CONTAINED HEREIN BE USED BY OR DISCLOSED TO OTHERS UNLESS EXPRESSLY AUTHORIZED IN BY WRITING STEPPERONLINE.