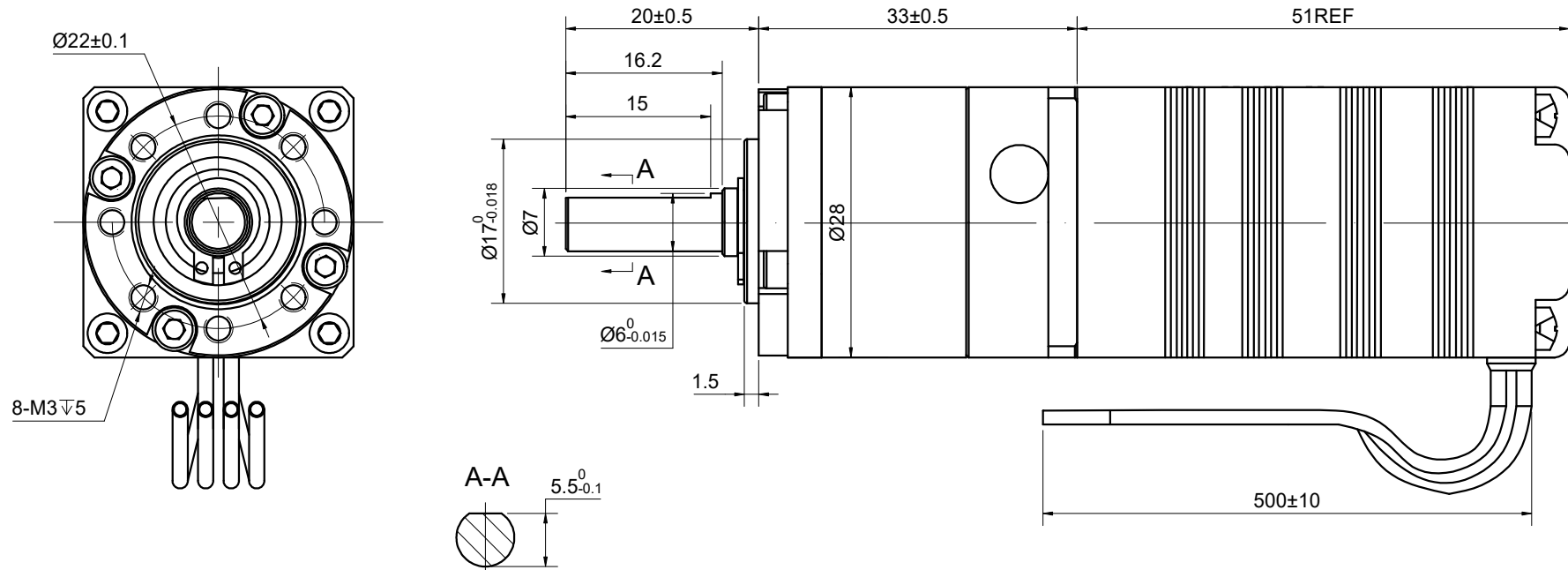


REV.	REVISION RECORD	BY	DATE
0	ORIGIN	MYX	5.18.2026

CUSTOMER'S MODEL: NO MODEL  
END COVER COLOR: BLACK



STEPPER MOTOR  
11HS20-0674S-EGS10  
S/N: XXXXXXXXXXXX



SPECIFICATION	CONNECTION	BIPOLAR
AMPS/PHASE		0.67
RESISTANCE/PHASE(Ohms)@25°C		9.20±10%
INDUCTANCE/PHASE(mH)@1KHz		5.80±20%
HOLDING TORQUE w/o GEARBOX(Nm)[lb-in]		0.12[1.04]
STEP ANGLE w/o GEARBOX(°)		1.80
GEAR RATIO		10
GEAR EFFICIENCY		96%
BACKLASH@NO-LOAD		<=15 arcmin
MAX.PERMISSIBLE TORQUE(Nm)		1.00
MOMENT PERMISSIBLE TORQUE(Nm)		2.00
AMBIENT TEMPERATURE		-10°C~50°C[14°F~122°F]
INSULATION CLASS		B 130°C[266°F]
TEMPERATURE RISE		MAX.80°C

COMMENT:  
1.DYNAMIC AXIAL LOAD: 100N MAX  
2.DYNAMIC RADIAL LOAD: 300N MAX  
3.TMBF 6000h OR MORE @ 24V/300RPM  
4.INSULATION RESISTANCE (NORMAL TEMPERATURE AND HUMIDITY): 100 Mohm  
5.DIELECTRIC STRENGTH 500VAC FOR 1MIN.(BETWEEN THE MOTOR COILS AND THE MOTOR CASE )

MOTOR CONNECTION			
PIN NO	BIPOLAR	LEADS	WINDING
1	A+	BLK	
2	A -	GRN	
3	B+	RED	
4	B -	BLU	

FULL STEP 2 PHASE-Ex.,WHEN FACING MOUNTING END (X)					CCW	CW	THIRD ANGLE PROJECTION
STEP	A+	B+	A-	B-			
1	+	+	-	-			
2	-	+	+	-			
3	-	-	+	+			
4	+	-	-	+			

DIMENSIONS ARE IN MILLIMETERS.  
TOLERANCES AS BELOW:  
DECIMALS ANGLES  
X ±0.5 ±2°  
X.X ±0.25  
X.XX ±0.13

**STEPPERONLINE®**

GEARED STEPPER MOTOR

11HS20-0674S-EGS10

THIS DOCUMENT SHALL NOT BE REPRODUCED NOR SHALL THE INFORMATION CONTAINED HEREIN BE USED BY OR DISCLOSED TO OTHERS UNLESS EXPRESSLY AUTHORIZED IN BY WRITING STEPPERONLINE.

SIGNATURE		DATE
DRN	MYX	5.18.2026
APVD	LJ	5.18.2026